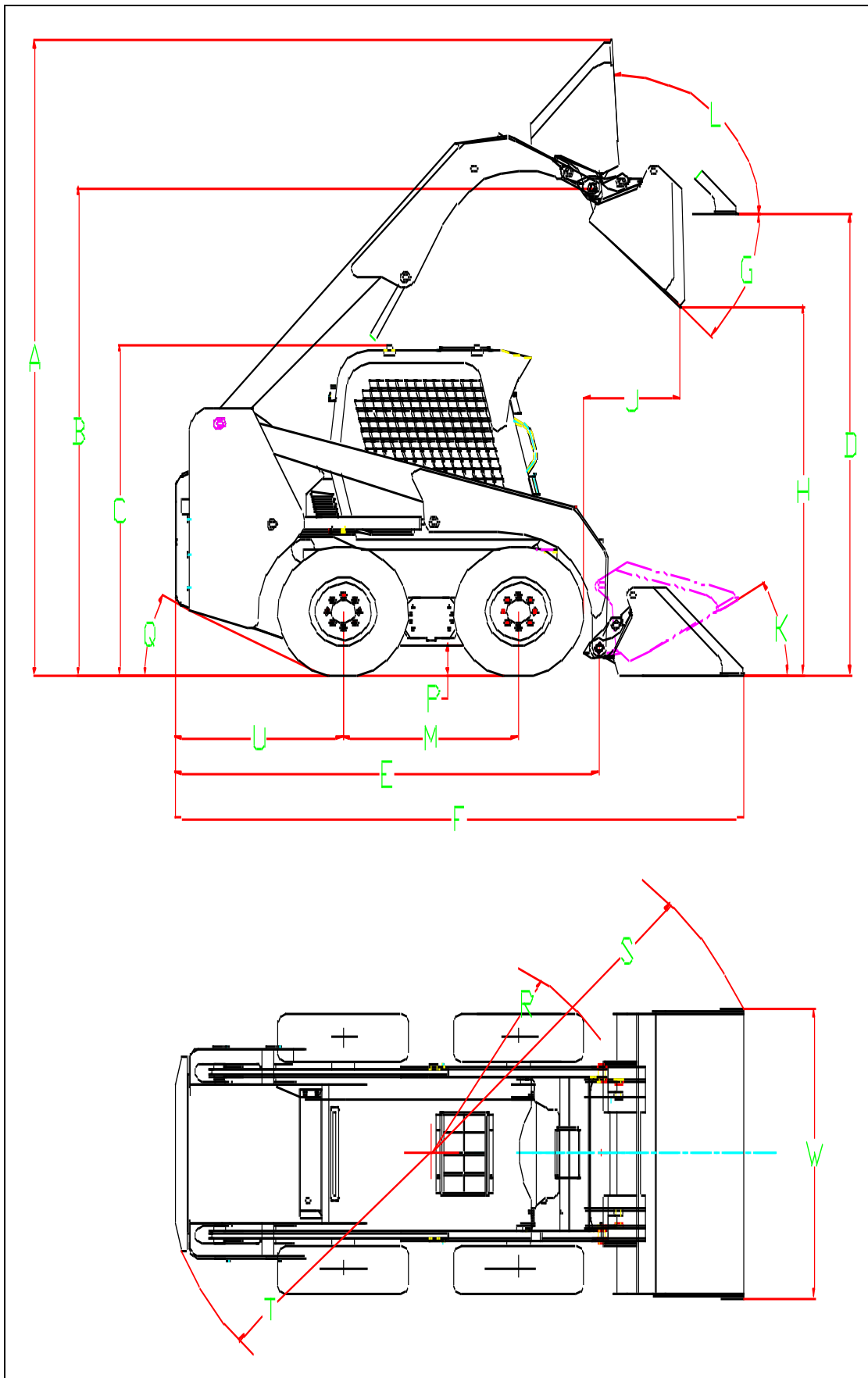


More technical specifications:



No.	Item	XT750	Unit
	working weight	3.6	t
	net weight	3.42	t
	front-wheel weight	1.24	t
	rear-wheel weight	2.2	t
A	max.height	4002	mm
B	height to the bucket pin shaft	3110	mm
C	height to the driver' s cab	2093	mm
D	height to the bottom of bucket with highest arm	2940	mm
E	overall length without attachment	2740	mm
F	overall length with standard bucket	3670	mm
G	dumping angle with highest boom	42	°
H	dumping height	2365	mm
J	dumping reach	675	mm
K	turning angle with bucket horizontally flipped	30	°
L	turning angle with max.height	92	°
M	wheel base	1116	mm
P	Ground clearance	195	mm
Q	Angle of departure	26	°
R	min. turning radius without attachment	1600	mm
S	min. front turning radius	1200+1480=2680	mm
T	min. back turning radius	1200+1080=2280	mm
U	distance front back axis to back	1080	mm
V	tread	1475	mm
W	width with digging bucket	1830	mm
	total cycling time	9.45	s
	max. travlling speed	12.6	Km/h
	min. tensile load of chain	86.7	kN
	breakout force	2500	KG
	Max. climbing abilty	25	kN

Nanjing Construction Machinery Co.,Ltd.

Address: 1708 Room 6# Building 399 Zhongyang Road Gulou District,Nanjing,
Jiangsu Province of China.

Tel: 0086-25-83179757/83179767

Fax: 0086-25-83179787

E-mail: sales@truckcrane.com.cn
san.sen@truckcrane.com.cn
service@truckcrane.com.cn

Http: [//www.truckcrane.com.cn](http://www.truckcrane.com.cn)